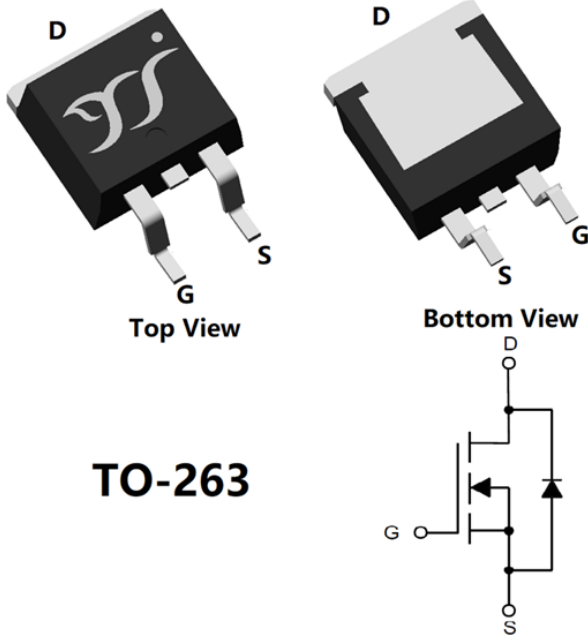


N-Channel Enhancement Mode Field Effect Transistor



Product Summary

- V_{DS} 60V
- I_D 200A
- $R_{DS(ON)}$ (at $V_{GS}=10V$) <2.9 mohm
- 100% EAS Tested
- 100% ∇V_{DS} Tested

General Description

- Split Gate Trench MOSFET technology
- Excellent package for heat dissipation
- High density cell design for low $R_{DS(ON)}$
- Moisture Sensitivity Level 1
- Epoxy Meets UL 94 V-0 Flammability Rating
- Halogen Free

Applications

- Consumer electronic power supply
- Isolated DC-DC Converters
- Motor control
- Invertors

■ Absolute Maximum Ratings ($T_A=25^\circ C$ unless otherwise noted)

Parameter		Symbol	Limit	Unit
Drain-source Voltage		V_{DS}	60	V
Gate-source Voltage		V_{GS}	± 20	V
Drain Current ^A	$T_A=25^\circ C$	I_D	25	A
	$T_A=100^\circ C$		15	
	$T_C=25^\circ C$		200	
	$T_C=100^\circ C$		125	
Pulsed Drain Current ^B		I_{DM}	600	A
Avalanche energy ^C		EAS	500	mJ
Total Power Dissipation ^D	$T_A=25^\circ C$	P_D	4.4	W
	$T_A=100^\circ C$		1.7	
	$T_C=25^\circ C$		260	
	$T_C=100^\circ C$		104	
Thermal Resistance Junction-to-Case		$R_{\theta JC}$	0.48	$^\circ C/W$
Thermal Resistance Junction-to-Ambient ^E		$R_{\theta JA}$	28	
Junction and Storage Temperature Range		T_J, T_{STG}	-55~+150	$^\circ C$

■ Ordering Information (Example)

PREFERRED P/N	PACKING CODE	Marking	MINIMUM PACKAGE(pcs)	INNER BOX QUANTITY(pcs)	OUTER CARTON QUANTITY(pcs)	DELIVERY MODE
YJB200G06B	F2	YJB200G06B	800	/	8000	13" reel



YJB200G06B

■ Electrical Characteristics (T_J=25°C unless otherwise noted)

Parameter	Symbol	Conditions	Min	Typ	Max	Units
Static Parameter						
Drain-Source Breakdown Voltage	BV _{DSS}	V _{GS} = 0V, I _D =250μA	60			V
Zero Gate Voltage Drain Current	I _{DSS}	V _{DS} =60V, V _{GS} =0V			1	μA
		V _{DS} =60V, V _{GS} =0V, T _J =150°C			100	
Gate-Body Leakage Current	I _{GSS}	V _{GS} = ±20V, V _{DS} =0V			±100	nA
Gate Threshold Voltage	V _{GS(th)}	V _{DS} = V _{GS} , I _D =250μA	2.0	2.8	4.0	V
Static Drain-Source On-Resistance	R _{DS(ON)}	V _{GS} = 10V, I _D =20A		2.3	2.9	mΩ
Diode Forward Voltage	V _{SD}	I _S =20A, V _{GS} =0V			1.2	V
Gate resistance	R _G	f=1MHz	-	2.3	-	Ω
Maximum Body-Diode Continuous Current	I _S				200	A
Dynamic Parameters						
Input Capacitance	C _{iss}	V _{DS} =25V, V _{GS} =0V, f=100KHZ		4165		pF
Output Capacitance	C _{oss}			900		
Reverse Transfer Capacitance	C _{rss}			59		
Switching Parameters						
Total Gate Charge	Q _g	V _{GS} =10V, V _{DS} =50V, I _D =50A		65		nC
Gate-Source Charge	Q _{gs}			11.9		
Gate-Drain Charge	Q _{gd}			9.8		
Reverse Recovery Charge	Q _{rr}	I _F =25A, di/dt=100A/us		63		ns
Reverse Recovery Time	t _{rr}			58		
Turn-on Delay Time	t _{d(on)}	V _{GS} =10V, V _{DD} =30V, I _D =25A R _{GEN} =2Ω		22.5		ns
Turn-on Rise Time	t _r			6.7		
Turn-off Delay Time	t _{d(off)}			80.3		
Turn-off fall Time	t _f			26.9		

Note:

- The maximum current rating is package limited.
- Repetitive rating; pulse width limited by max. junction temperature.
- V_{DD}=50 V, R_G=25 Ω, L=0.5mH, starting T_J=25 °C.
- P_D is based on max. junction temperature, using junction-case thermal resistance.
- The value of R_{θJA} is measured with the device mounted on 1 in 2 FR-4 board with 2oz. Copper, in a still air environment with Ta=25 °C.



■ Typical Performance Characteristics

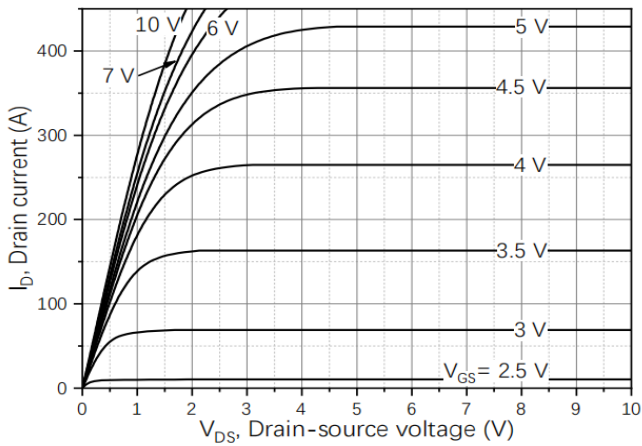


Figure1. Output Characteristics

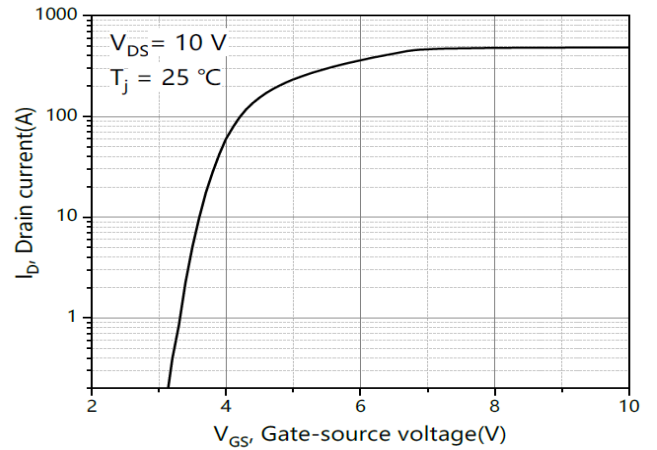


Figure2. Transfer Characteristics

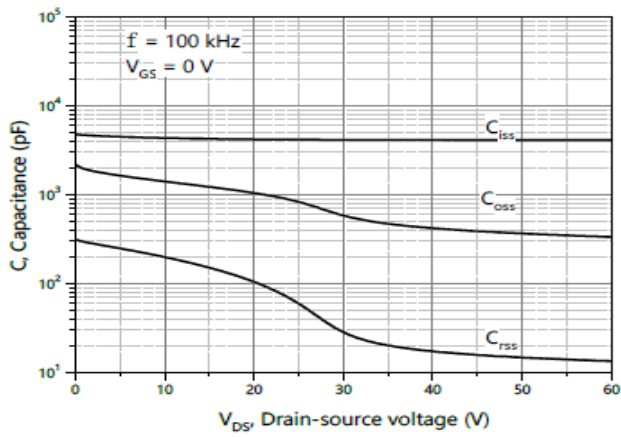


Figure3. Capacitance Characteristics

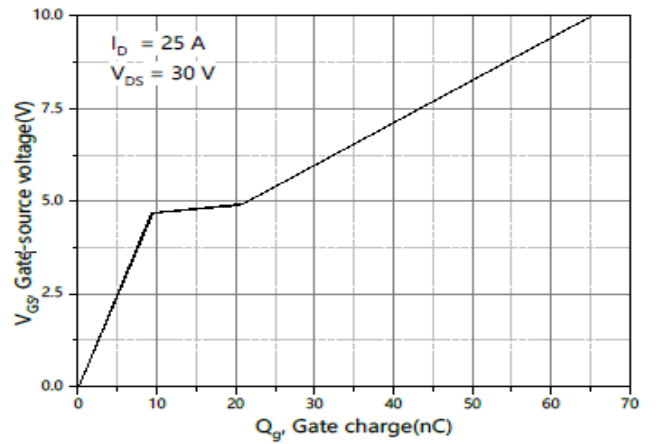


Figure4. Gate Charge

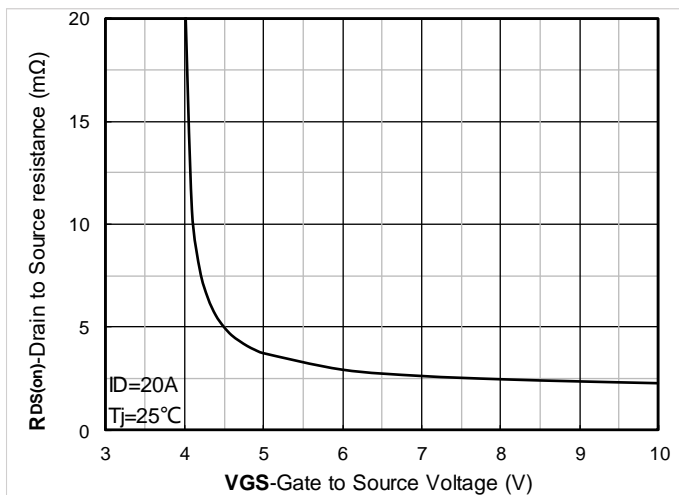


Figure 5. On-Resistance vs Gate to Source Voltage

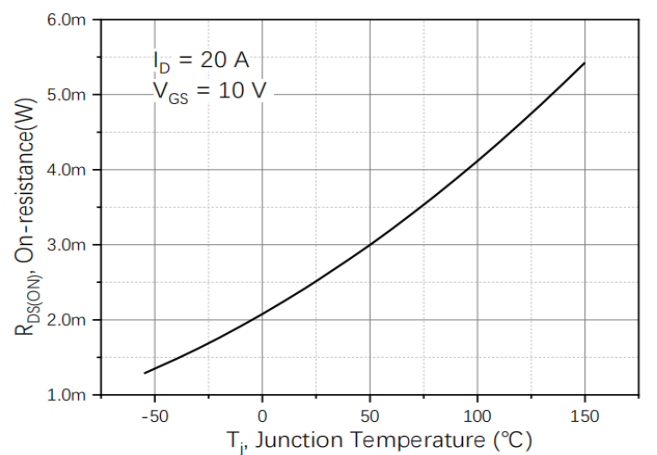


Figure 6. Drain-Source on Resistance



YJB200G06B

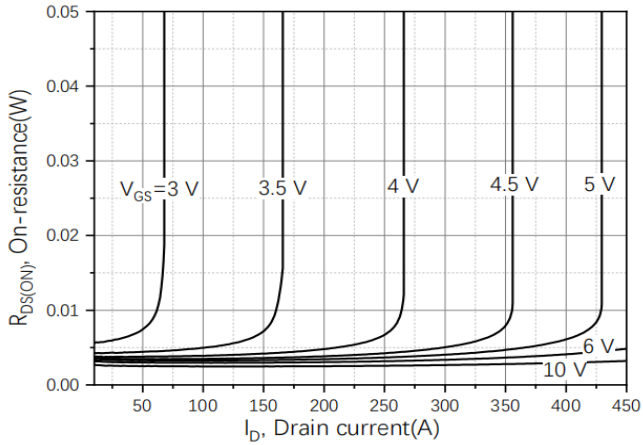


Figure 7. Drain-Source on Resistance

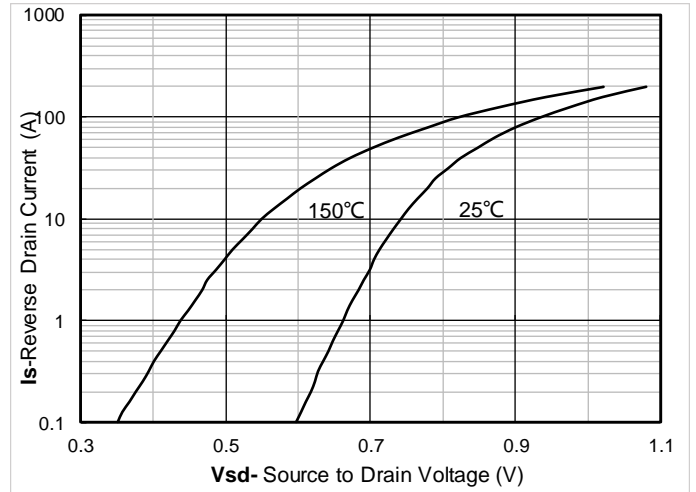


Figure 8. Forward characteristics of reverse diode

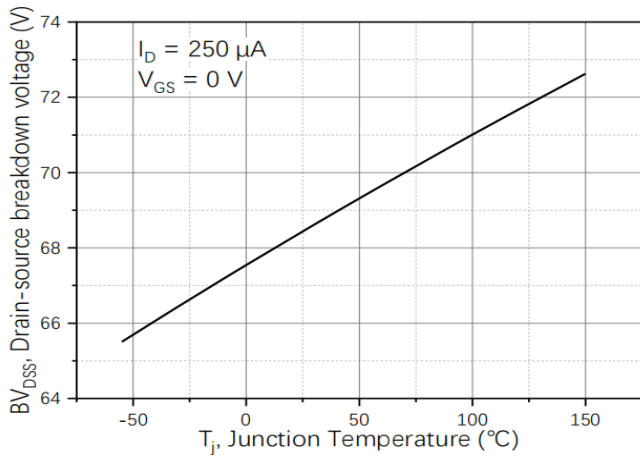


Figure 9. Drain-source breakdown voltage

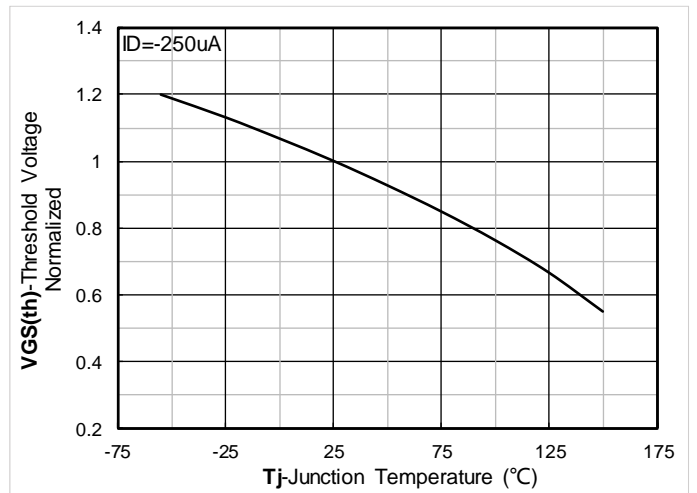


Figure 10. Normalized Threshold voltage

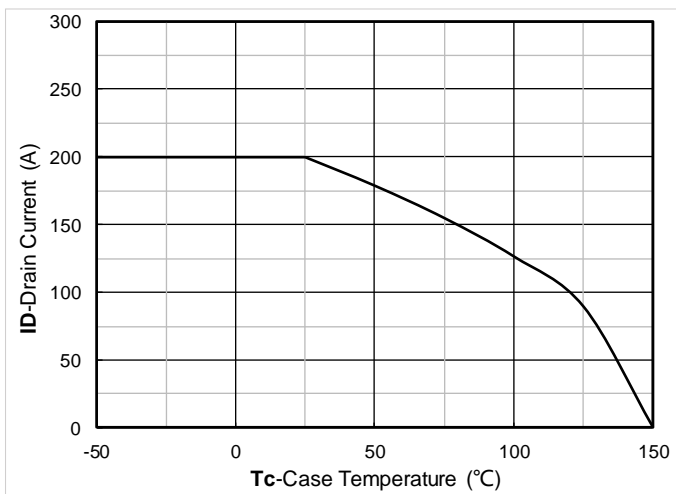


Figure 11. Current dissipation

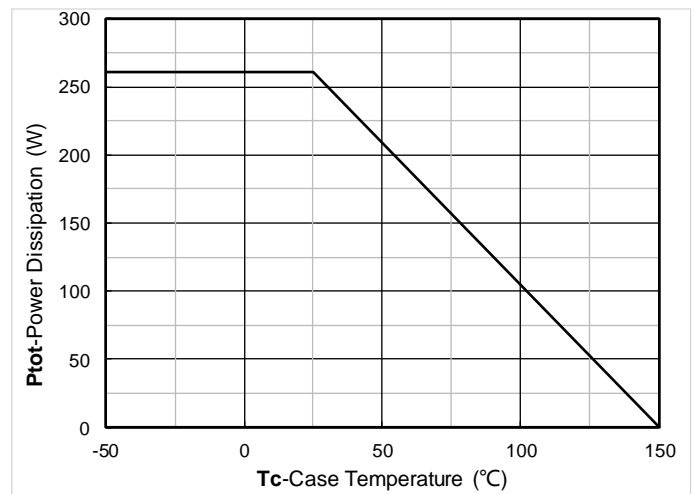


Figure 12. Power dissipation



YJB200G06B

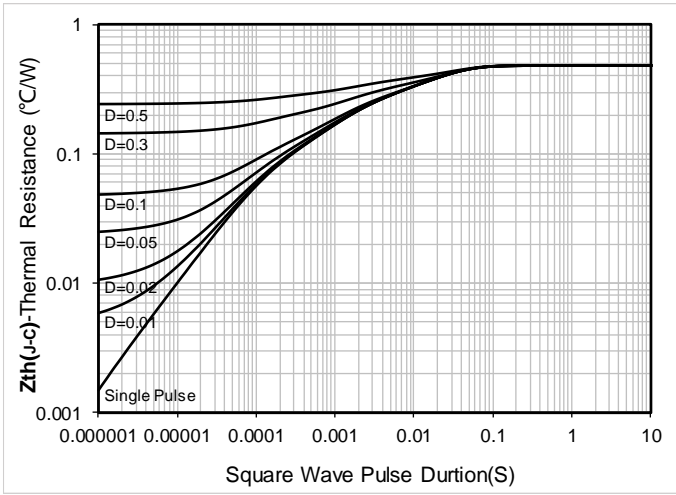


Figure 13. Maximum Transient Thermal Impedance

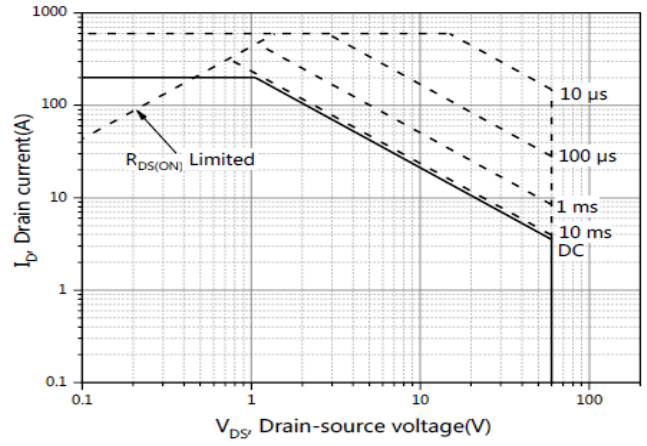


Figure 14. Safe Operation Area

■ Test circuits and waveforms

Figure A: Gate Charge Test Circuit & Waveforms

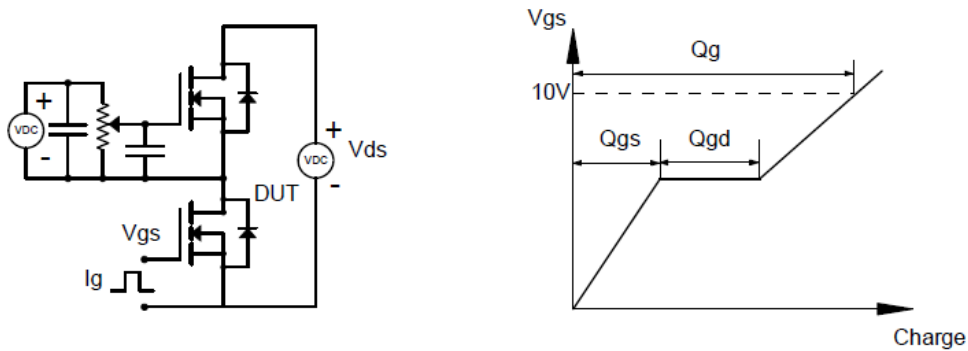


Figure B: Resistive Switching Test Circuit & Waveforms

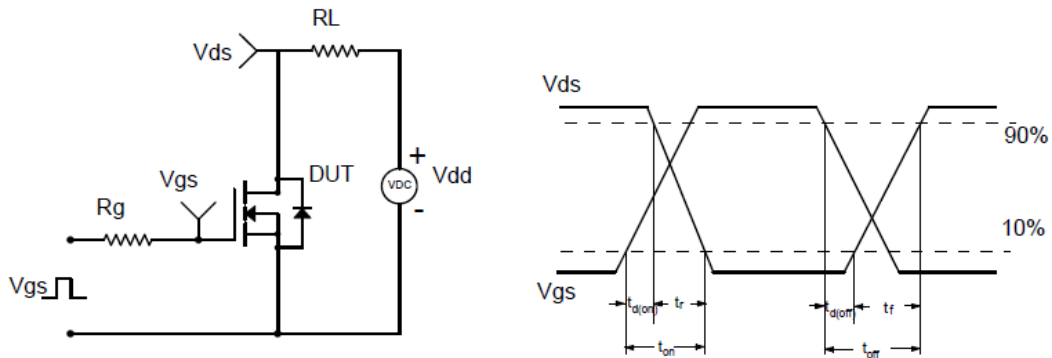


Figure C: Unclamped Inductive Switching (UIS) Test

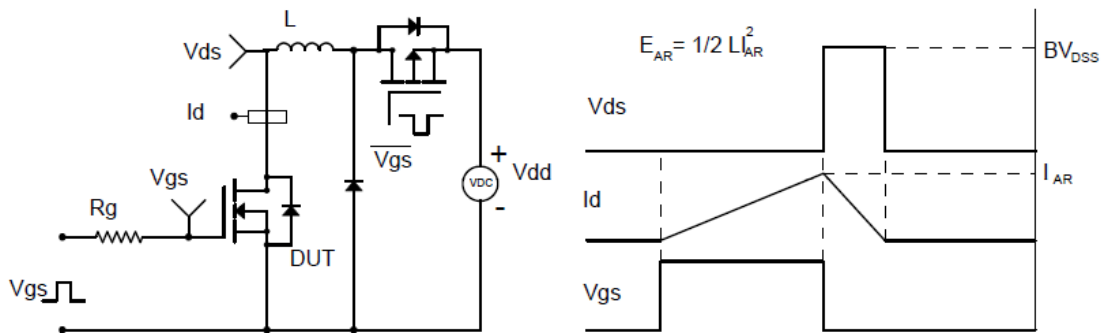
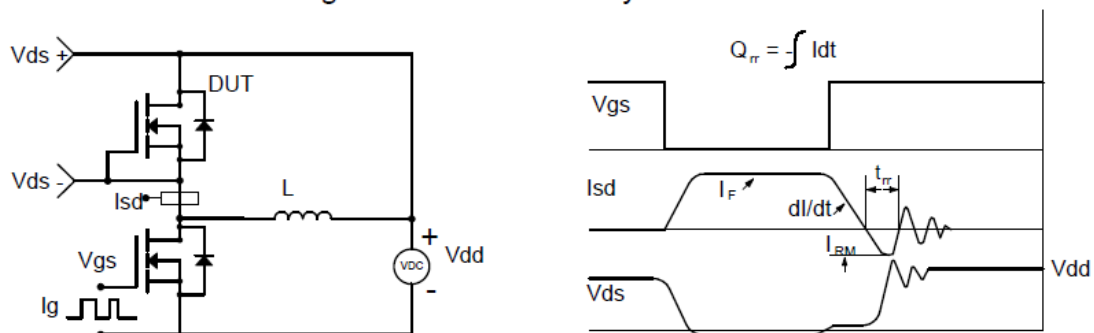


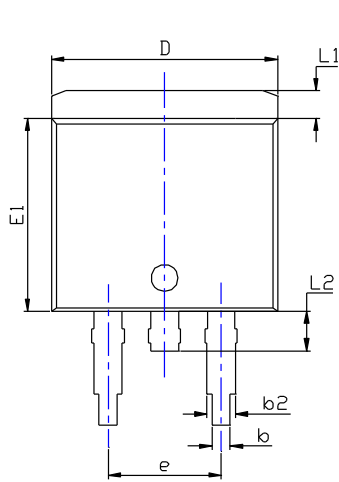
Figure D: Diode Recovery Test Circuit & Waveforms



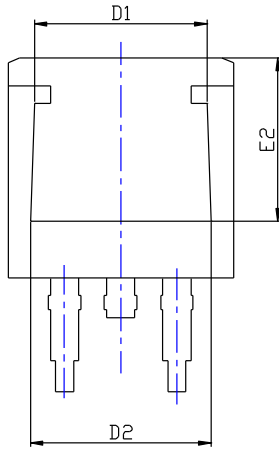


YJB200G06B

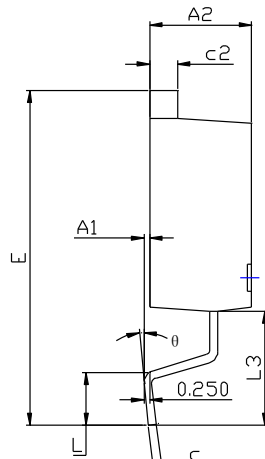
■ TO-263-HY Package information



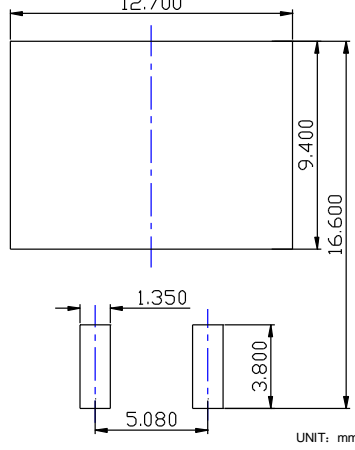
TOP VIEW



BOTTOM VIEW



SIDE VIEW



SUGGESTED SOLDER PAD LAYOUT

UNIT: mm

SYMBOL	DIMENSIONS					
	INCHES			Millimeter		
	MIN.	NDM.	MAX.	MIN.	NDM.	MAX.
A1	0.000	---	0.010	0.000	---	0.250
A2	0.174	0.180	0.186	4.430	4.580	4.730
b	0.028	0.032	0.036	0.720	0.820	0.920
b2	0.046	0.050	0.054	1.180	1.280	1.380
c	0.013	0.015	0.018	0.330	0.390	0.450
c2	0.048	0.050	0.053	1.220	1.280	1.340
D	0.394	0.400	0.406	10.000	10.150	10.300
D1	0.295	0.307	0.319	7.500	7.800	8.100
D2	0.303	0.315	0.327	7.700	8.000	8.300
E	0.571	0.591	0.610	14.500	15.000	15.500
E1	0.337	0.341	0.348	8.550	8.700	8.850
E2	0.276	0.287	0.299	7.000	7.300	7.600
e	0.200BSC			5.080BSC		
L	0.070	---	0.110	1.790	---	2.790
L1	0.044	---	0.056	1.120	---	1.420
L2	0.030	---	0.070	0.770	---	1.770
L3	0.197REF			5.000REF		
θ	0°	---	8°	0°	---	8°

NOTE:

- 1.PACKAGE BODY SIZES EXCLUDE MOLD FLASH AND GATE BURRS.
- 2.TOLERANCE 0.1mm UNLESS OTHERWISE SPECIFIED.
- 3.THE PAD LAYOUT IS FOR REFERENCE PURPOSES ONLY.



YJB200G06B

Disclaimer

The information presented in this document is for reference only. Yangzhou Yangjie Electronic Technology Co., Ltd. reserves the right to make changes without notice for the specification of the products displayed herein to improve reliability, function or design or otherwise.

The product listed herein is designed to be used with ordinary electronic equipment or devices, and not designed to be used with equipment or devices which require high level of reliability and the malfunction of which would directly endanger human life (such as medical instruments, transportation equipment, aerospace machinery, nuclear-reactor controllers, fuel controllers and other safety devices), Yangjie or anyone on its behalf, assumes no responsibility or liability for any damages resulting from such improper use of sale.

This publication supersedes & replaces all information previously supplied. For additional information, please visit our website [http:// www.21yangjie.com](http://www.21yangjie.com) , or consult your nearest Yangjie's sales office for further assistance.