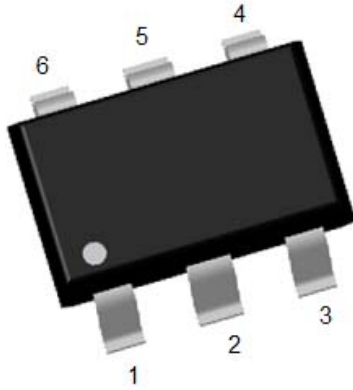


Dual PNP Small Signal Transistor

- 1、Emitter
- 2、Base
- 3、Collector
- 4、Emitter
- 5、Base
- 6、Collector



SOT-363

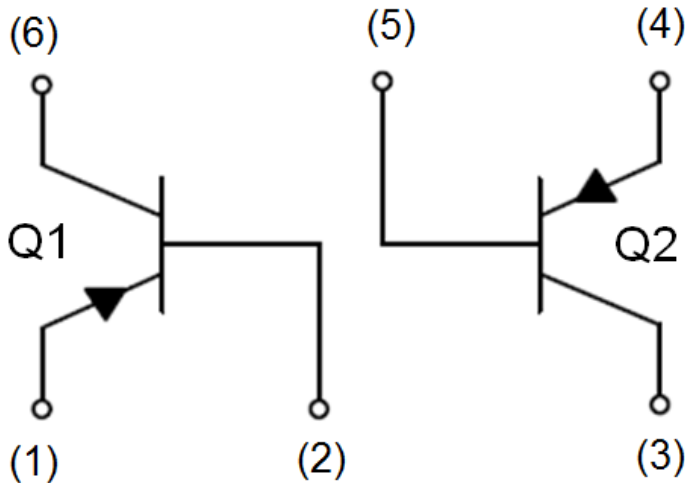
Features

- Epoxy meets UL-94 V-0 flammability rating
- Surface mount package ideally Suited for Automatic Insertion
- Moisture Sensitivity Level 1
- Part no. with suffix “Q” means AEC-Q101 qualified

Mechanical Data

- **Package:** SOT-363
- **Terminals:** Tin plated leads, solderable per J-STD-002 and JESD22-B102
- **Marking:** 3F

Equivalent circuit





BC857BSQ

■Maximum Ratings (Ta=25°C Unless otherwise specified)

Q1&Q2-PNP

Item	Symbol	Unit	Conditions	Value
Collector-Base Voltage	VCBO	V	$I_C=-10\mu A, I_E=0$	-50
Collector-Emitter Voltage	VCEO	V	$I_C=-10mA, I_B=0$	-45
Emitter-Base Voltage	VEBO	V	$I_E=-10\mu A, I_C=0$	-5
Collector Current	IC	mA		-100
Total Device Dissipation	PC	mW		200
Junction Temperature	Tj	°C		-55 to +150
Storage Temperature	TSTG	°C		-55 to +150

■Electrical Characteristics (Ta=25°C unless otherwise specified)

Q1&Q2-PNP

Item	Symbol	Unit	Conditions	Min	TYP	Max
Collector-base breakdown voltage	$V_{(BR)CBO}$	V	$I_C=-10\mu A, I_E=0$	-50		
Collector-emitter breakdown voltage	$V_{(BR)CEO}$	V	$I_C=-10mA, I_B=0$	-45		
Emitter-base breakdown voltage	$V_{(BR)EBO}$	V	$I_E=-10\mu A, I_C=0$	-5		
Collector cut-off current	I_{CBO}	nA	$V_{CB}=-30V, I_E=0$			-100
Emitter-Base Cut-off current	I_{EBO}	nA	$V_{EB}=-5V, I_C=0$			-100
DC current gain	h_{FE}		$V_{CE}=-5V, I_C=-2mA$	220		475
Collector-emitter saturation voltage	$V_{CE(sat)}$	V	$I_C=-10mA, I_B=-0.5mA$			-0.3
			$I_C=-100mA, I_B=-5mA$			-0.65
Baser-emitter saturation voltage	$V_{BE(sat)}$	V	$I_C=-10mA, I_B=-0.5mA$			-1
			$I_C=-100mA, I_B=-5mA$			-1.1
Base-emitter Voltage	V_{BE}	V	$V_{CE}=-5V, I_C=-2mA$	-0.6		-0.75
Transition frequency	Ft	MHz	$V_{CE}=-5V, I_C=-10mA, f=30MHz$	100		

■ Ordering Information (Example)

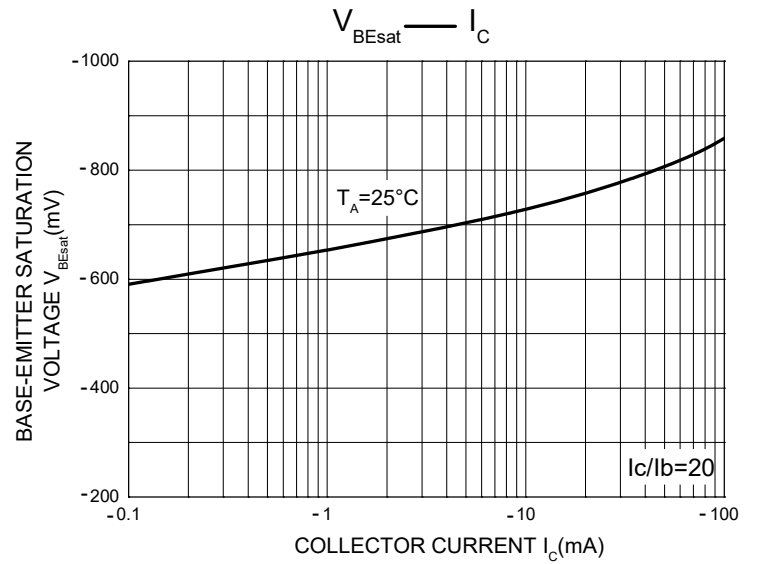
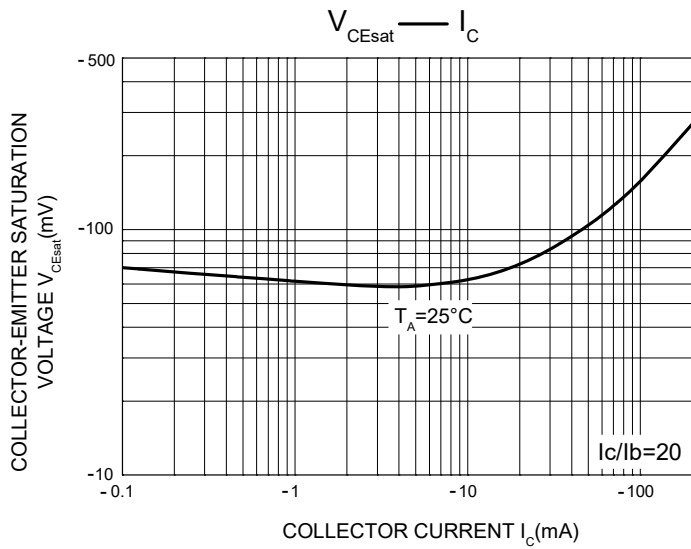
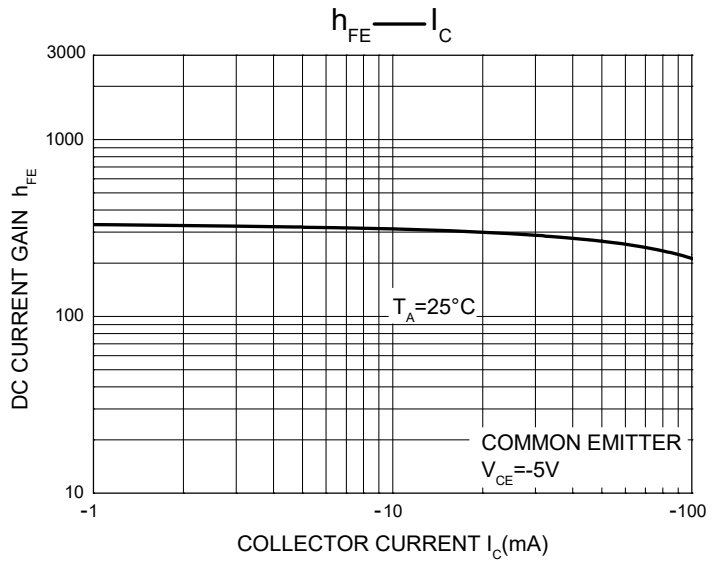
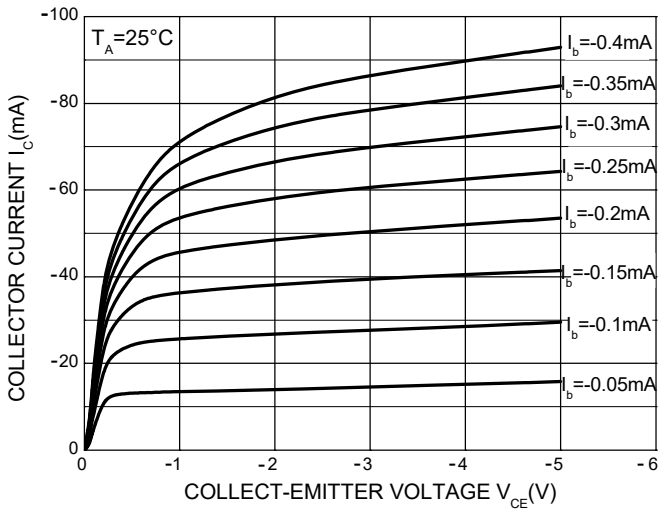
PREFERED P/N	PACKING CODE	UNIT WEIGHT(g)	MINIMUM PACKAGE(pcs)	INNER BOX QUANTITY(pcs)	OUTER CARTON QUANTITY(pcs)	DELIVERY MODE
BC857BSQ	F2	Approximate 0.007g	3000	30000	120000	7" reel



BC857BSQ

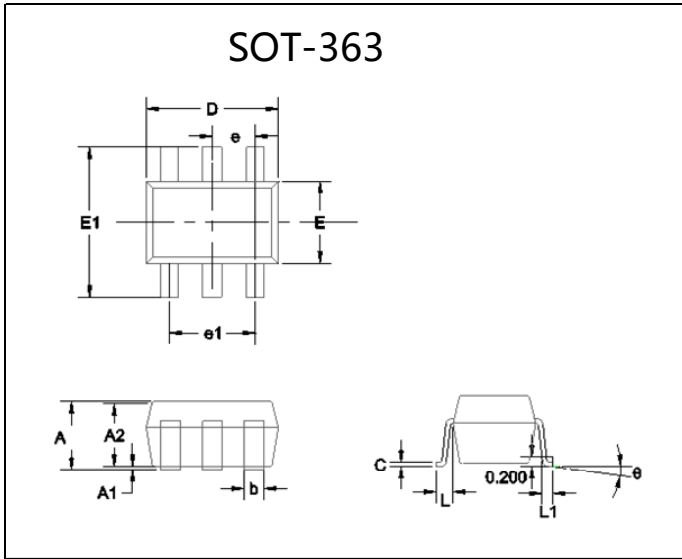
■ Characteristics (Typical) Q1&Q2-PNP

Static Characteristics



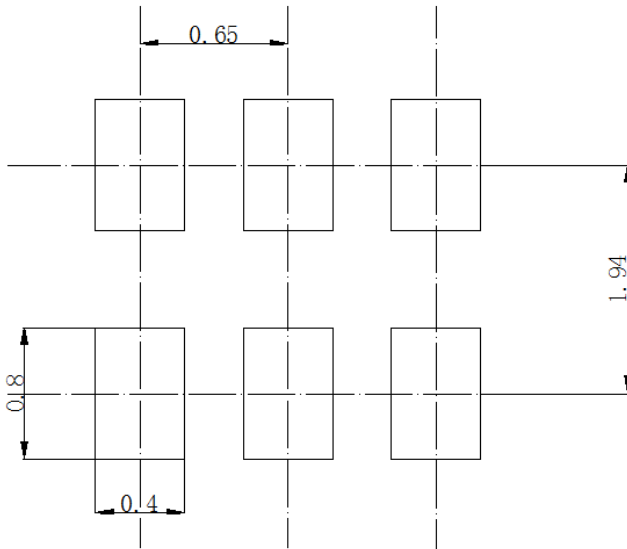


■SOT-363 Package Outline Dimensions



DIM	INCHES		MM		NOTE
	MIN	MAX	MIN	MAX	
A	0.035	0.043	0.90	1.10	
A1	0.000	0.004	0.00	0.10	
A2	0.035	0.039	0.90	1.00	
b	0.006	0.014	0.15	0.35	
c	0.002	0.010	0.05	0.25	
D	0.071	0.087	1.80	2.20	
E	0.045	0.053	1.15	1.35	
E1	0.085	0.096	2.15	2.45	
e	0.026Typ		0.65Typ		
e1	0.047	0.055	1.20	1.40	
L	0.021Typ		0.525Typ		
L1	0.010	0.018	0.26	0.46	
theta	0°	8°	0°	8°	

■SOT-363 Suggested Pad Layout



Unit: mm



BC857BSQ

Disclaimer

The information presented in this document is for reference only. Yangzhou Yangjie Electronic Technology Co., Ltd. reserves the right to make changes without notice for the specification of the products displayed herein to improve reliability, function or design or otherwise.

The product listed herein is designed to be used with automotive electronics, are not designed for use in medical, life-saving, lifesustaining, or military, Yangjie or anyone on its behalf, assumes no responsibility or liability for any damages resulting from such improper use of sale.

This publication supersedes & replaces all information previously supplied. For additional information, please visit our website [http:// www.21yangjie.com](http://www.21yangjie.com) , or consult your nearest Yangjie's sales office for further assistance.